



MANUAL DE USUARIO
User's Manual



M-32 | M-32-3 | M-32-5
M-32AI | M-32-3AI | M-32-5AI

READ THIS MANUAL BEFORE USING THE EQUIPMENT
FOR THE FIRST TIME

LEA LAS INSTRUCCIONES ANTES DE USAR
EL EQUIPO POR PRIMERA VEZ

OPERATION INSTRUCTIONS

CONTENTS:	PAGE
I. INTRODUCTION	1
II. UNPACKING	2
III. INSTALLATION	2
IV. OPERATION	4
V. KEY ELEMENTS IN GRINDING QUALITY PRODUCT	4
VI. CLEANING	6
VII. MAINTENANCE	6
VIII. EQUIPMENT SPECIFICATION	8

I.- INTRODUCTION

Congratulations! You have acquired a meat grinder, which is made of high quality long lasting materials that should give you years of trouble free operation and durable service. Before you unpack your new unit, please, read completely this manual.

IMPORTANT!: It is of vital importance that you OR any person that will operate this unit thoroughly read this manual.



WARNING!:
This meat grinder is designed to cut food products and if it is not used and maintained properly for optimum safety, it could become dangerous.

This equipment should be connected to a connection with thermal protection and properly grounded. The cable tie used is "Y" type, if it is damaged, it must be replaced by authorized and qualified personnel to avoid any risk.



The appliance is not be used by persons (including children) with reduced physical, sensory or mental capabilities, or lack of experience and knowledge, unless they have given supervision or instruction. Children being supervised not play with the appliance.



Never perform service, cleaning or maintenance on this unit while connected to a power source.



Never use hands or fingers to feed products directly into the bowl area, always use the pusher included in the equipment.



Do not leave the machine unattended while in operation & turn it off when it is not being used.

II.- UNPACKING

While unpacking the machine take special care in removing these components to be assembled later. Make sure that all are accounted for*.

The grinding unit includes:

- 1 Headstock (10)
- 1 Worm (13)
- 1 Ring (17)
- 1 Blade or knife (15)
- 1 Plate (16)

Also:

- 1 Pusher (1)
- 1 Product tray (2)
- 1 Bottle with mineral oil (24) -Approved by the Food and Drug Administration-
- 4 Support Legs (4)

*Note: for reference numbers see "Meat grinder diagram for components" (central pages).

III.- INSTALLATION

The Meat grinder is ready to use. Before to install it, you only need to verify the next points:

1. Electrical installation meets the required specification of the equipment.
2. Place has an adequate illumination and leveled floor/work table (The meat grinder already includes leveling support legs) .
3. Room is clean and meets the hygienic conditions for food processing.

IMPORTANT!:

Wash the unit before using for the first time, specially the grinding unit. Also use the included food grade mineral oil to lubricate the plate (19) and knife (18) –See Cleaning section for more details.

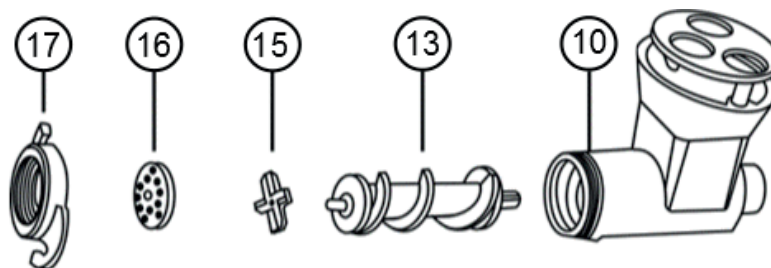


FIG.1 EXPLODED VIEW OF GRINDING UNIT

IMPORTANT!

The equipment must be correctly grounded to prevent possible damage by electrical shock. The power cord must have a some kind of disconnection.

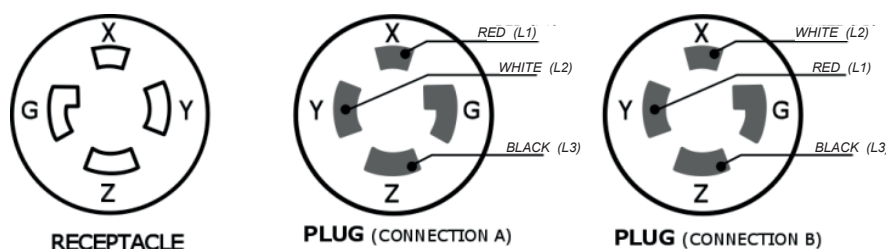


FIG. 2



CAUTION!:

Unplug or disconnect the machine from the power supply before changing wires.

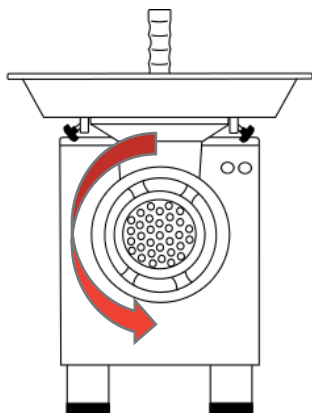


FIG.3 WORM ROTATION

Before completing the electrical connection, check the worm (13) rotation. When the ON button is pressed, the worm must rotate counter clockwise, seeing the equipment in front. If the worm rotates clockwise, push the stop button and unplug the equipment. Interchange 2 of 3 incoming power supply wires. (See fig. 2)

Reconnect the grinder to the power supply, turn it on and verify the rotation again. If the correct operation is confirmed, fix the connection to the power supply. If you have any question regarding the connection of the equipment, contact to your authorized dealer. The above procedure only applies to grinder with three phase connection.

HOW TO REMOVE GRINDING UNIT.

1. Remove the ring (17) turning it counterclockwise and extract the plate (16), Knife (15) and worm (13).
2. Unscrew the headstock knob (7) (see Fig 4) to be able to remove the headstock (10).

Reverse the steps and sequence to install the grinding unit again. Taking special attention to the next points :

- a. After assembling the headstock (10), screw the headstock knob (7) to fix the headstock
- b. The knife (15) must be inserted into worm's shaft. The sharp end must face forward.
- c. Place plate (19) centered against knife (18) assuring the notch matches the Headstock's inserted pin.

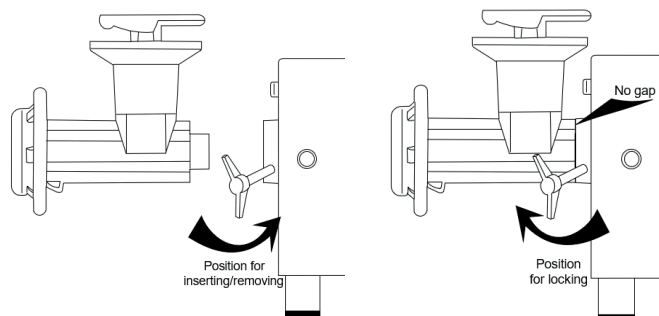
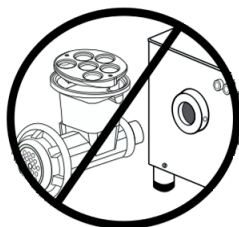


FIG.4 POSITION FOR LEVER HANDLE



IMPORTANT!:

Before locking the headstock knob, be sure that both headstock (10) and transmission cover (6) are joined with no gap between them.

**IMPORTANT!**

Do not assemble the whole unit at the same time, this could damage the gears of transmission. Assembling component by component extends the life and guarantee the correct operation of the headstock and its components.

HOW TO INSTALL THE PRODUCT TRAY.

1. Place the hole of the tray (2) over the top of the headstock (10), use the guides under the tray to locate it in the correct position, tight both tray knobs to keep it in place, (be sure the tip of the knob screw fits in the Indention made in the headstock).
2. Place the pusher (1) into the safety guard.

IV.- OPERATION

1. Before starting, move to the correct work position – at sides of meat grinder – (see Fig. 5).
2. Turn on the machine.
3. Place product on the rear of feed tray (2).
4. Feed the product into the opening of the Headstock (10). Product must be fed into the headstock with the fixed guard in place. If the fixed guard has been cut off or otherwise removed, the grinder **MUST NOT** be used and a replacement headstock must be ordered. **DANGER** - Failure to follow this instruction could lead to serious injury including amputation, dismemberment or, in the most extreme case, death
5. Using only the provided pusher (1), push the product without forcing it.

**FIG.5 WORKING POSITION**

Note: There are two (2) stop buttons: the primary is in front of the grinder besides the start button and the secondary is the Emergency stop button on the right side of the grinder.

EMERGENCY STOP BUTTON (E-Stop): When the E-Stop is pressed, the meat grinder will immediately stop. After being pressed, the E-Stop will need to be reset to resume use of the meat grinder. To reset, press and rotate the E-Stop in the clockwise direction.

V.- KEY ELEMENTS IN MIXING/GRINDING QUALITY PRODUCT

MODELS: M-32, M-32-3. The meat grinder can grind at a rate of 55 lb/min (25 kg/min) at the first grinding using a 3/8" plate (not provided) and 28 lb/min (13 kg/min) for the second grinding.

MODELS: M-32-5. The meat grinder can grind at a rate of 63 lb/min (29 kg/min) at the first grinding using a 3/8" plate (not provided) and 30 lb/min (14 kg/min) for the second grinding

To extend the life of the equipment and get high quality product is recommended the next tips:

Periodically verify the plate (16) and knife (15) sharp.

Grinding Unit must be free of food debris.

- The tension on the head ring should be firm but not too tight. Over tightening can lead to excessive friction, motor wear and/or poor product appearance.
- Clean the grinding unit (including headstock) after use by removing it from the equipment.
- Keep the equipment in a clean and sanitary condition while is not being used.
- It is recommended that meat used for grinding is between 1°C a -3°C (33.8°F a 26.6°F)



USAGE CAUTION AND RECOMMENDATION FOR GRINDING

1. Utilize 3/8" plate or bigger for first grinding.

IMPORTANT!:

Potential damage to equipment may occur if smaller plate is utilized for first grinding.

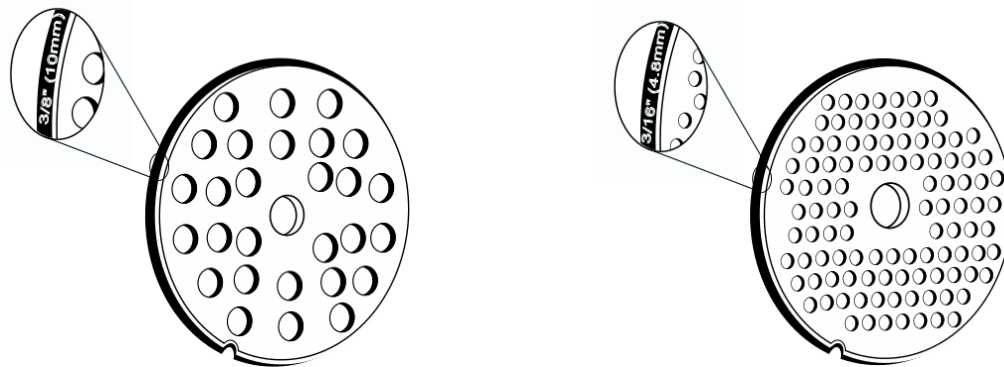


Fig. A. The size plate is located on the edge

2. For a second grinding is possible to use a 3/16" plate or smaller.

WARNING!:

Do not use smaller plates than 3/8" in the first grinding to avoid equipment damages.

IMPORTANT!:

This equipment has the capability of grind different kinds of food as long as it does not have a sticky consistency and/or prone to harden in the process, since it could get stuck on the components and potentially get jammed (e.g. hydrated chickpea, hydrated corn, food with pasty consistency, etc.)



CAUTION!:

For the first time usage you must grind at least 2 pounds of scrap clean product to remove any metallic or foreign debris.

VI.- CLEANING

For cleaning the Grinding Unit, follow the next procedure:

1. Disassemble main components as explained before on the installation section.
2. Using a soft bristle brush not provided -See Fig 4, clean with adequate detergent each component, specially inside headstock (10) to eliminate waste and debris of food.
3. Wash every component with plenty of water.
4. Dry completely. Don't let soap cleaners dry on the surface.
5. It is important after doing this procedure, to lubricate the knife (15) and plate (16) with the included mineral oil. Assemble again.

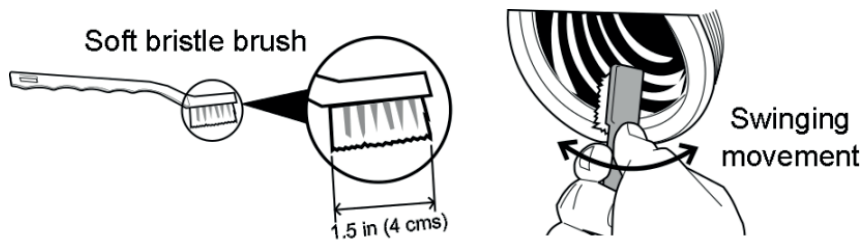


FIG.6 TIP FOR CLEANING ROUGHNESS PARTS



IMPORTANT!:

Avoid use of abrasive cleaners, acid, fibers, chlorides (such as chlorine bleach), on stainless steel surfaces will cause pitting, corrosion, and metal discoloration. Allowing salty solutions to evaporate and dry on stainless steel may also contribute to corrosive conditions.

VII.- MAINTENANCE

This equipment is designed to have a minimal maintenance, but, it's important to check the next points:

1. The knife (15) and plate's hole (16) always must have sharp edges. Replace them after certain period of use or if you notice the quality of the grinder meat is not as fine as the first time.
2. Replace the knife and plate when assembly becomes loose even though the Ring (17) is totally tight.
3. If the power cord (3) or the plug is damaged, it must be replaced by an authorized service technician or qualified personnel to avoid risk of electric shock.
4. Lubricate the entrance of the headstock in the transmission cover when if you see that the approved grease (24) has been consumed by use or cleaning. Apply only food contact approved grease contained in the bottle. It is important to always keep lubricated this area to be easy the disassembling of headstock.
5. The gear box of this grinder is sealed and should be repaired or opened only by approved technician, the transmission oil should be changed at least every two years of normal operation.



CAUTION!:

Always unplug or disconnect the machine from the power supply before cleaning or perform any maintenance.

GUIDE TO SOLVE TECHNICAL PROBLEMS

PROBLEMS	NO TURN ON	NO GRIND	EXCESSIVE NOISE	OIL SPILL	HEADSTOCK GAP/MOVING	HEADSTOCK HOT
Verify the electrical features (Current, Voltage, Etc)	X					
Change the motor	X					
Verify the electrical connection	X		X			
Change the switch	X					
Verify the applied voltage	X	X				
Regulate the current (AMPS) on the thermal Relay		X				
Change Knife/Plate		X	X			
Change gears			X			
Verify oil in transmission box			X			
Change the oil seal to transm. box and/or gear cover				X		
Change the gasket to gear cover				X		
Remove and assemble the headstock again					X	
Avoid operating the meat grinder without product						X
Change nylon washer from the worm						X

THOSE ARE PARTS THAT NEED TO BE CHANGED AFTER SPECIFIC TIME OF USE.

Parts to check and replace	Frequency of inspection	Lifetime	Remarks
Knife (15) and plate (16)	Monthly	3 Months	It depends of use. If the grinded meat is not as fine as the first time, replacement is required.
Transmission oil (See inside cabinet for oil type)	Yearly	2 Years	Check the oil level and appearance. If color of oil is totally dark, it needs replacement.
Worm (13) headstock (10)	Yearly	4 To 5 years	If assembly between these both components is loose (0.150" or more) the worm must be replaced.
Power switch (9)	Monthly	Depends of use	The feeling while pushing the power switch must be firm. If you notice excessive movement, you need to replace it.

STAINLESS STEEL SPECIAL CARE

This is a guideline of cleaning methods for stainless steel.

Requirement	Suggested Method
Routine cleaning of light soiling	Wash with Soap or detergent in warm clean water. Apply with a clean sponge, soft cloth or soft-fiber brush then rinse in clean water and dry.
Fingerprints	Use Detergent. Rinse with warm water. Dry totally
Watermarks	Use clean rinsing water, such as reasonable quality potable (tap) water. Drying marks may be avoided using an air blower or wiping with clean disposable wipes.
Grease marks	Use clean rinsing water , you could add white vinegar or soft water solution. Rinse with warm water again and dry.
Rust stains	Wash surface with CLR (calcium, lime & rust remover) type cleaner. Use not acid and recommended solution. Apply using a soft non-abrasive sponge. Rinse surface thoroughly with clean soft water after application.
Dirt and debris	Wash surface with a mild liquid soap. Apply using a soft, non-abrasive cloth. Rinse surface thoroughly with clean soft water.

VIII.- EQUIPMENT SPECIFICATION

A. ELECTRICAL (Depends on your model. See ID plate)

MOTOR	3 HP (2.2 kW)				
Phases	1		3		
Voltage	220 V~	230 V~	220 V3~	230 V3~	380 V3~
Frequency	60 Hz	50 Hz	60 Hz	50 Hz	50 Hz
Current	16.8 A (16 A*)	16.8 A	8.8 A (8 A*)	8.6 A	4.4 A

* For Mexico

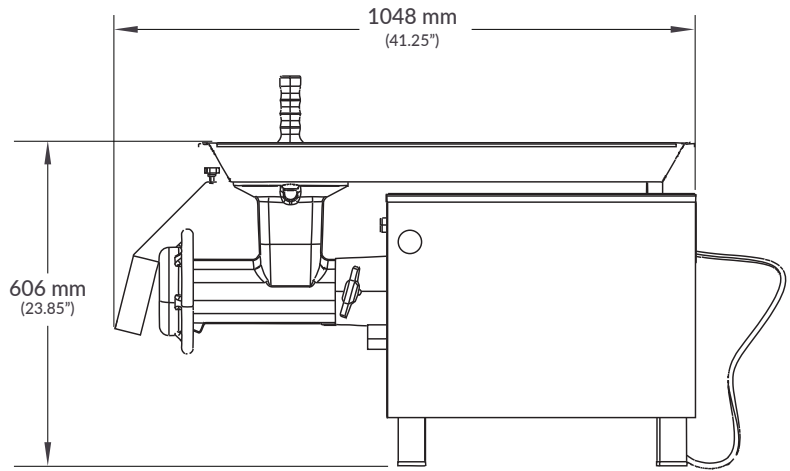
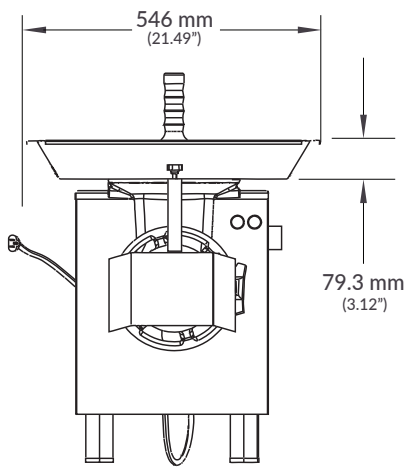
MOTOR	5HP (3.7 kW)			
Phases	1**	3		
Voltage	220 V~	220 V3~	230 V3~	380 V3~
Frequency	60 Hz	60 Hz	50 Hz	
Current	26 A	13.6 A (14.2 A*)	14.2 A	8.1 A

**Not available in USA

* For Mexico

B. GENERAL DIMENSIONS

KG-32 & KG-32-MP



KG-32-XP

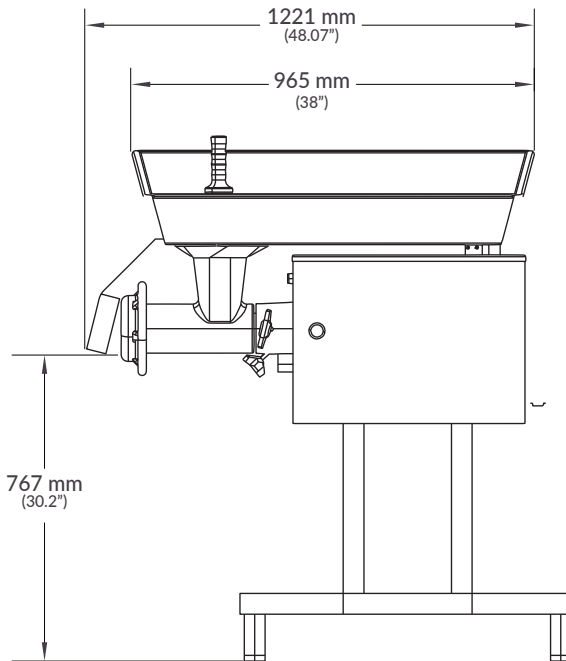
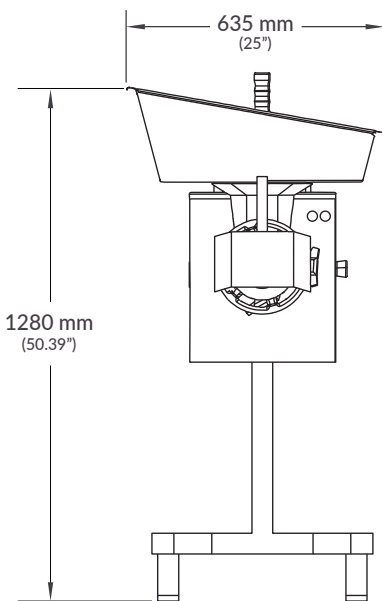


Fig.7 Equipment general dimensions

C. ELECTRICAL DIAGRAM

The electric diagram for this unit is located inside the cabinet



WARNING!:

The cabinet for this equipment must be opened by qualified personnel only. For any problem or doubt related to electric specifications and connections, please call to your authorized dealer.

MEAT GRINDER DIAGRAM FOR COMPONENTS (SEE CENTRAL PAGES)

ITEM	DESCRIPTION	QTY
1	PUSHER	1
2	PRODUCT TRAY	1
3	POWER CORD	1
4	ALUMINUM LEGS	4
5	CABINET	1
6	TRANSMISSION COVER	1
7	HEADSTOCK KNOB	2
8	RUBBERS	1
9	SWITCH (INTERRUPTOR)	1
10	HEADSTOCK	1
11	REAR ROD	1
12	NYLON WASHER (M32)	1
13	WORM	1
14	FRONT ROD	1
15	KNIFE	1
16	PLATE	1
17	HEADSTOCK RING	1
18	SAFETY GUARD	1
19	BRONZE WASHER M32	1
20	TRAY KNOBS	2
21	DEFLECTOR KNOB	1
22	DEFLECTOR	1
23	MOTOR (3HP OR 5HP – NOT SHOWN)	1
24	EMERGENCY STOP BUTTON	1
25	FOOD CONTACT APPROVED GREASE BOTTLE	1

INSTRUCCIONES DE OPERACIÓN

CONTENIDO:	PÁGINA
I. INTRODUCCIÓN	10
II. DESEMPACADO	11
III. INSTALACIÓN	11
IV. OPERACIÓN	13
V. ELEMENTOS CLAVE PARA MOLER PRODUCTOS CON CALIDAD	13
VI. LIMPIEZA	15
VII. MANTENIMIENTO	15
VIII. ESPECIFICACIONES DEL EQUIPO	17

I.- INTRODUCCIÓN

Usted ha adquirido un Molino para carne el cual está fabricado con los mejores materiales y mano de obra, lo que le asegurará una larga vida y un excelente servicio. Para garantizar el óptimo funcionamiento de su equipo, se deberán de tomar en cuenta las precauciones y recomendaciones incluidas en este manual.

¡IMPORTANTE!: “Es de vital importancia que Usted o cualquier otra persona que se relacione con el equipo, lea detenidamente este manual.”


¡ADVERTENCIA!:

Esta máquina esta diseñada para moler carne y algunos otros productos alimenticios, y por su naturaleza es peligrosa si no se utiliza con conocimiento y precaución.

Este equipo debe ser conectado a una conexión con protección térmica y debidamente aterrizado. El tipo de sujeta-cables empleado es tipo “Y”, si éste es dañado, deberá ser remplazado por personal autorizado y/o calificado para evitar cualquier riesgo.



Esta unidad no se puede usar por personas (incluidos niños) con discapacidades físicas, sensoriales o mentales, o la falta de experiencia y conocimiento, a menos que hayan recibido supervisión o instrucción previamente. Los niños, aún bajo supervisión, no deben jugar con el equipo.



Nunca de servicio, limpieza o mantenimiento a esta unidad mientras esté conectada a la energía eléctrica.



¡Peligro! Nunca use sus manos u otra extremidad para introducir el producto directamente. Siempre use el empujador incluido en el equipo.



Apague y desconecte el equipo cuando no este en uso .

II.- DESEMPACADO

Mientras desempaca el molino de carne tome las consideraciones necesarias para contabilizar los componentes y asegurarse que no presenten ningún daño.

La unidad de molienda incluye:

- 1 Cabezal (10)
- 1 Gusano (13)
- 1 Tuerca (17)
- 1 Navaja (15)
- 1 Cedazo (16)

Ademas:

- 1 Empujador (1)
- 1 Charola de carne (2)
- 1 Bote con aceite mineral de grado alimenticio (24)
- 4 Patas niveladoras (4)

*Nota: Para mejor referencia vea “Diagrama de componentes para Molino ” (páginas centrales).

III.- INSTALACIÓN:

El molino de carne está listo para ser usado. Antes de instalarlo, usted necesitará verificar los siguientes puntos:

1. Que la instalación eléctrica cumpla con las especificaciones requeridas del equipo.
2. Que el lugar donde se instalará tenga una iluminación adecuada y un piso nivelado (Si es necesario, ajuste la altura de las patas niveladoras del molino).
3. Que el cuarto se encuentre limpio y cumpla con las condiciones higiénicas para procesar comida.

¡IMPORTANTE!:

Lave el equipo antes de usarlo por primera vez, especialmente la unidad de molienda y charola. Se recomienda lubricar el cedazo (19) y navaja (18) regularmente. –Ver la sección de “Limpieza” para más información.

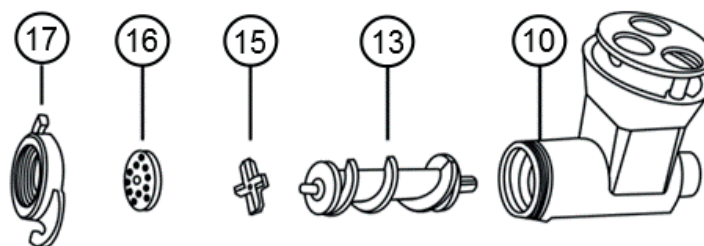


FIG.1 VISTA EXPLOSIONADA DE LA UNIDAD DE MOLIENDA

¡IMPORTANTE!

El equipo deberá estar siempre debidamente aterrizado para prevenir daños por choque eléctrico. Debe de incorporarse al cableado fijo un medio de desconexión.

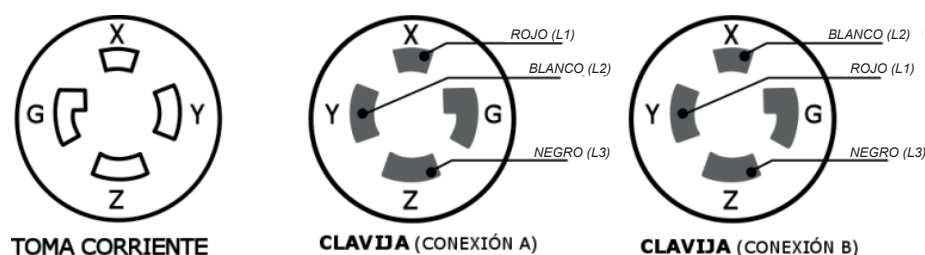
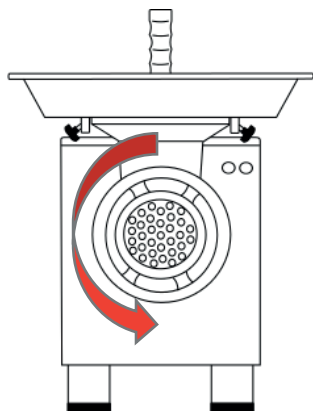


FIG. 2


¡PRECAUCIÓN!

Desconecte el equipo antes de intercambiar los cables del tomacorriente.


FIG.3 GIRO DEL GUSANO

Antes de completar la conexión eléctrica, revise el giro del gusano (13). Cuando encienda el equipo, el gusano debe girar en contra de las manecillas del reloj, viendo el equipo de frente. Si el gusano gira en sentido de las manecillas del reloj, apague y desconecte el equipo. Intercambie 2 de los 3 cables de alimentación. Ver fig. 2

Vuelva a conectar el molino al toma de corriente, enciéndalo y verifique la rotación una vez más. Si el funcionamiento es el adecuado, fije la conexión y asegúrese que quede debidamente aterrizada. Si tiene alguna duda referente a la conexión del equipo, contacte a su distribuidor autorizado.

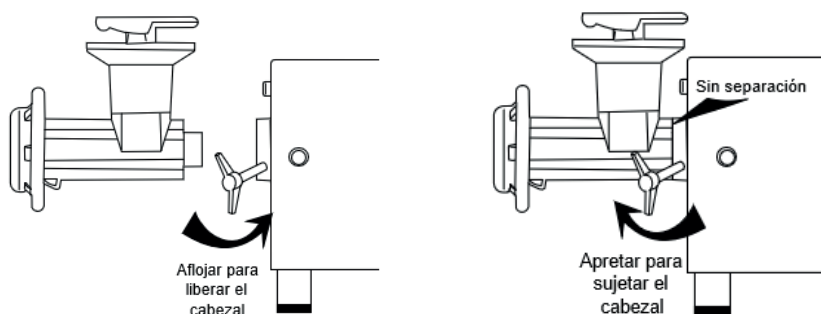
NOTA: Lo anterior aplica solamente para molinos con conexión trifásica.

CÓMO REMOVER LA UNIDAD DE MOLIENDA.

1. Retire la tuerca (17) girándola en contra de las manecillas. Extraiga el cedazo (16), Navaja (15) y el gusano (13).
2. Gire la perilla para cabezal (7) en contra de las manecillas para aflojar el cabezal (10) y retirarlo. (ver FIG. 4).

Siga los pasos en forma inversa para instalar de nueva cuenta la unidad de molienda. Al hacer esto, tenga en cuenta las siguientes consideraciones:

- a. Después de ensamblar el cabezal (10), gire la perilla de sujeción (7) en contra de las manecillas del reloj
- b. La navaja (15) debe insertarse con el filo hacia enfrente, en la flecha del gusano.
- c. Posicione el cedazo (19) centrado contra la navaja (18) asegurando que la muesca coincida con el pin insertado en el cabezal.


FIG.4 SUJECIÓN DEL CABEZAL

¡IMPORTANTE!

Antes de apretar la perilla de sujeción, asegúrese que el cabezal (10) y la tapa de transmisión (6) estén totalmente unidas (sin separación).

**¡IMPORTANTE!**

Ensamblar toda la unidad de molienda a la vez, podría dañar los engranes de la transmisión. Es por eso que se recomienda hacer el ensamble componente por componente, esto garantiza un correcto funcionamiento tanto de la transmisión así como de la unidad de molienda. ¡No se arriesgue a dañar su equipo!

COMO INSTALAR LA CHAROLA DE PRODUCTO.

1. Posicione el orificio de la charola (2) sobre el cabezal (13), use las guías debajo de la charola para centrarla, enrosque las perillas localizadas a los lados para fijar la charola (asegúrese que las perillas entren directamente en las muescas del cabezal).
2. Ponga el empujador (1) dentro de la guarda de protección (21).

IV.- OPERACIÓN:

1. Antes de comenzar, posicione correctamente en uno de los lados del molino (Ver Fig. 5).
2. Encienda el equipo.
3. Ponga el producto a moler sobre la charola (2).
4. Alimente manualmente sobre la entrada del cabezal (10). El producto debe introducirse en el cabezal con la protección fija en su lugar. Si se ha cortado o quitado la protección fija, **NO SE DEBE** utilizar el equipo y se debe pedir un cabezal de repuesto. **PELIGRO:** el incumplimiento de esta instrucción podría provocar lesiones graves, incluida la amputación, el desmembramiento o, en el caso más extremo, la muerte.
5. Use el empujador (1) para introducir el producto sin forzar la entrada de éste.

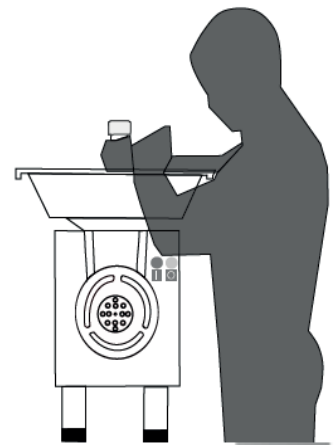


FIG.5 POSICIÓN DE TRABAJO

Nota: Hay dos (2) botones de paro: el principal está frente al molino además del botón de inicio y el secundario es el botón de paro de emergencia en el lado derecho del molino.



BOTÓN DE PARO DE EMERGENCIA (E-Stop): Cuando se presiona el E-Stop, el molino se detendrá inmediatamente. Después de presionarlo, será necesario reiniciar el E-Stop para reanudar el uso del molino. Para restablecer, presione y gire el E-Stop en el sentido de las manecillas del reloj.

V.- ELEMENTOS CLAVE PARA MOLER PRODUCTOS CON CALIDAD.

MODELOS: M-32, M-32-3. La capacidad de molienda del equipo es de 55 lb/min (25 kg/min) en la primera molienda usando un cedazo de 3/8" (no incluido) y de 28 lb/min (13 kg/min) en la segunda molienda.

MODELOS: M-32-5. La capacidad de molienda del equipo es de 63 lb/min (29 kg/min) en la primera molienda usando un cedazo de 3/8" (no incluido) y de 30 lb/min (14 kg/min) en la segunda molienda.

Para extender la vida del equipo y obtener un producto de alta calidad se recomienda lo siguiente:

- Periódicamente revisar el filo del cedazo (16) y la navaja (15).
- La unidad de molienda siempre deberá estar libre de restos de comida.

- Para evitar fricción excesiva entre el cedazo y la navaja, mala calidad en la molienda y daño en la transmisión; el ensamble de la tuerca deberá ser firme sin exceder en la fuerza al momento de apretar.
- Limpiar la unidad de molienda después del uso. Recuerde que es necesario remover cada uno de los componentes y limpiarlos por separado.
- Mantener el equipo en lugar limpio y en condiciones salubres.
- Se recomienda que la carne a moler este a una temperatura de 1°C a -3°C (33.8°F a 26.6°F)



ADVERTENCIA Y RECOMENDACIÓN PARA MOLIENDA

1. Utilizar cedazo de 3/8" o mayor en la primer molienda usar.

¡IMPORTANTE!:

Si se utiliza un cedazo de menor tamaño para la primera molienda, se corre el riesgo de dañar el equipo o que se quiebre el cedazo.

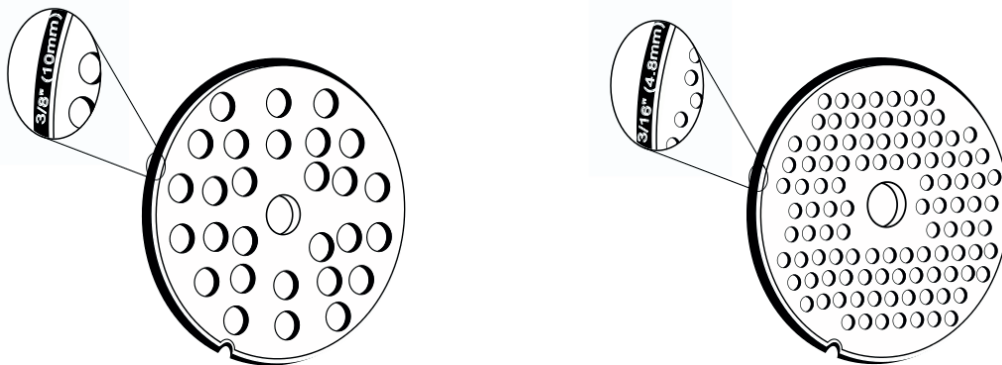


Fig. A. El tamaño del cedazo está ubicado en el borde del cedazo.

2. Para realizar la segunda molienda utilice cedazos iguales o menores a 3/16".

¡ADVERTENCIA!:

No usar cedazos menores a 3/8" en la primer molienda para evitar posible daño al equipo.

¡IMPORTANTE!:

Este equipo tiene capacidad para moler diferentes tipos de alimento, siempre y cuando no tenga una consistencia pegajosa y/o tienda a endurecerse en el proceso, ya que puede adherirse a los componentes y se provocara un atascamiento (garbanzo hidratado, maíz hidratado, alimentos con consistencia pastosa, etc.)



¡IMPORTANTE!:

Antes del primer uso, se deberán moler al menos 1.5 kilos de producto de desecho para remover de la unidad de molienda cualquier partícula ajena a la misma.

VI.- LIMPIEZA

Para la limpieza diaria de la Unidad de Molienda, siga el siguiente procedimiento:

1. Desensamble los componentes principales como se explica en la sección de Instalación.
2. Usando un cepillo de cerdas suaves (no incluido - Ver Fig 4) lave cada componente con solución jabonosa, especialmente dentro del cabezal (10) para desechar restos de carne acumulados.
3. Enjuague con abundante agua.
4. Seque por completo. Nunca deje que el jabón ni otros químicos se sequen en los componentes.
5. Lubrique navaja (15) y cedazo (16) con el aceite grado alimenticio. Ensamble otra vez.

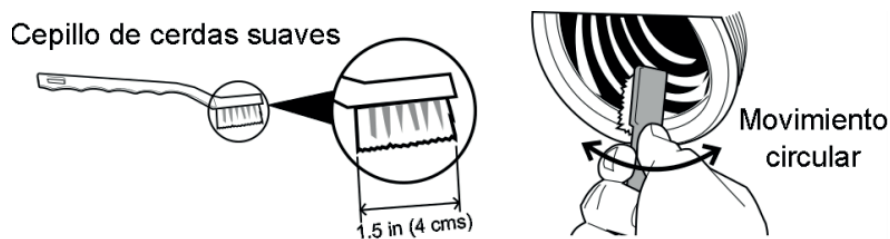


FIG.6 TIP PARA LIMPIAR PARTES IRREGULARES



¡IMPORTANTE!

Evite el uso de limpiadores abrasivos, ácidos, fibras, compuestos con cloro (blanqueadores) sobre superficies de acero inoxidable ya que ocasionan oxidación, corrosión y decoloración en el metal. Tampoco permita que soluciones ácidas se evaporen y sequen directamente sobre el acero inoxidable, esto puede generar óxido.

VII.- MANTENIMIENTO

El mantenimiento requerido del equipo es mínimo. Sin embargo, es importante que:

1. La navaja (15) y el cedazo (16) siempre tengan filo. Reemplácelos después de cierto tiempo de uso o si se observa que la calidad de la carne molida ya no es tan fina como la primera vez.
2. También deberá de reemplazar la navaja y el cedazo cuando el ensamble se vuelva flojo a pesar de que la tuerca para el cabezal (17) esté debidamente ensamblada.
3. Si el cable (3) o el conector resultaran dañados, deberán ser reemplazados inmediatamente por su técnico de servicio autorizado para evitar cualquier riesgo eléctrico.
4. Lubrique la entrada del cabezal para la tapa transmisión cuando la grasa haya sido consumida en su totalidad (24). Es importante que ésta área esté siempre lubricada para facilitar el ensamble o desensamble del cabezal.
5. La caja de transmisión está sellada y deberá ser abierta sólo por personal técnico capacitado, la grasa de la transmisión deberá ser cambiada al menos cada dos años de uso continuo.



¡PRECAUCIÓN!

Por su seguridad, siempre desconecte el equipo de la alimentación principal antes de hacer cualquier limpieza o mantenimiento.

GUÍA PARA RESOLVER PROBLEMAS TÉCNICOS.

PROBLEMA	NO ENCIENDE	NO MUELE	RUIDO EXCE-SIVO	FUGA DE ACEITE	CABEZAL FLOJO O GAP	CABEZAL CALIENTE
Revise las condiciones eléctricas (corriente, voltaje, Etc)	X					
Cambie el motor	X					
Revise la conexión eléctrica	X		X			
Cambie el interruptor	X					
Verifique el voltaje de alimentación	X	X				
Regule la corriente en el relevador de amperaje		X				
Cambie el cedazo/la navaja		X	X			
Cambie los engranes			X			
Verifique el aceite de transmisión			X			
Cambie el aceite de transmisión				X		
Cambie el empaque de la tapa de transmisión				X		
Desensamble y ensamble el cabezal otra vez					X	
Evite operar el molino sin producto						X
Cambie los empaques de nylon del gusano						X

ESTÁS SON PARTES QUE ES NECESARIO CAMBIAR DESPUÉS DE CIERTO TIEMPO DE USO.

Partes a Revisar	Frecuencia	Tiempo de vida	Comentarios
Navaja (15) y Cedazo (16)	Mensual	3 Meses	Depende del uso: Si la carne molida no sale tan fina como la primera vez, es necesario reemplazar los componentes.
Aceite de transmisión (Tipo de aceite está identificado dentro del gabinete)	Anual	2 Años	Verificar el nivel de aceite y apariencia. Si el color se torna café-oscuro, considere un cambio de aceite.
Gusano (13) y Cabezal (10)	Anual	4 a 5 años	Si el ensamble entre estos dos componentes tiene mucho juego (mayor a 4 mm), necesita reemplazar el gusano.
Botonera (9)	Mensual	Depende de uso	Los botones al presionarlos, deben sentirse firmes y sin exceso de movimiento. Nunca opere el equipo con botonera dañada.

CUIDADOS ESPECIALES DEL ACERO INOXIDABLE

Esta es una guía para los métodos de limpieza más comunes del acero inoxidable.

Tipo de mancha	Método de limpieza sugerido
Comunes	Lave con jabón o detergente (para platos) en agua tibia. Aplíquelo con una esponja, trapo o cepillo de cerdas suaves. Enjuague en agua limpia y seque por completo.
Dedos, manos	Use detergente y agua tibia. Seque totalmente.
Marcas de Agua	Use agua limpia (de garrafón de ser necesario). Evitar dejar secar al aire libre. Puede utilizar secadora (cabello) o limpiar con pañuelos desechables.
Grasa, aceites	Use agua limpia, puede agregar un poco de vinagre de ser necesario. Enjuague con agua limpia una vez más y seque.
Óxido	Lave la superficie con removedores especiales de óxido (venta en tiendas de autoservicio), Brasso o incluso solución a base de bicarbonato de sodio. Aplique usando una esponja no abrasiva. Enjuague completamente con agua limpia.
Suciedad y resto de comida	Lave la superficie con jabón suave. Aplíquelo usando un trapo no abrasivo. Enjuague con agua limpia.

VIII.- ESPECIFICACIONES DEL EQUIPO**A. ELÉCTRICAS (Depende del modelo: Vea la placa de identificación del mismo).**

MOTOR	3 HP (2.2 kW)				
Fases	1		3		
Voltaje	220 V~	230 V~	220 V3~	230 V3~	380 V3~
Frecuencia	60 Hz	50 Hz	60 Hz	50 Hz	50 Hz
Corriente	16.8 A (16 A*)	16.8 A	8.8 A (8 A*)	8.6 A	4.4 A

* Para México

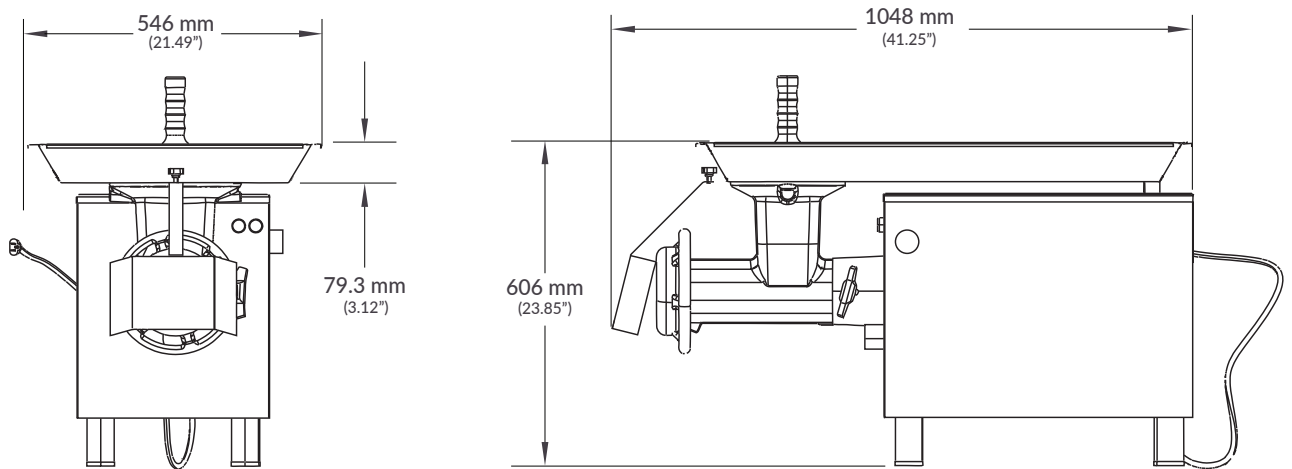
MOTOR	5HP (3.7 kW)			
Fases	1**	3		
Voltaje	220 V~	220 V3~	230 V3~	380 V3~
Frecuencia	60 Hz	60 Hz	50 Hz	
Corriente	26 A	13.6 A (14.2 A*)	14.2 A	8.1 A

**No disponible en USA

* Para México

B. DIMENSIONES GENERALES

KG-32 & KG-32-MP



KG-32-XP

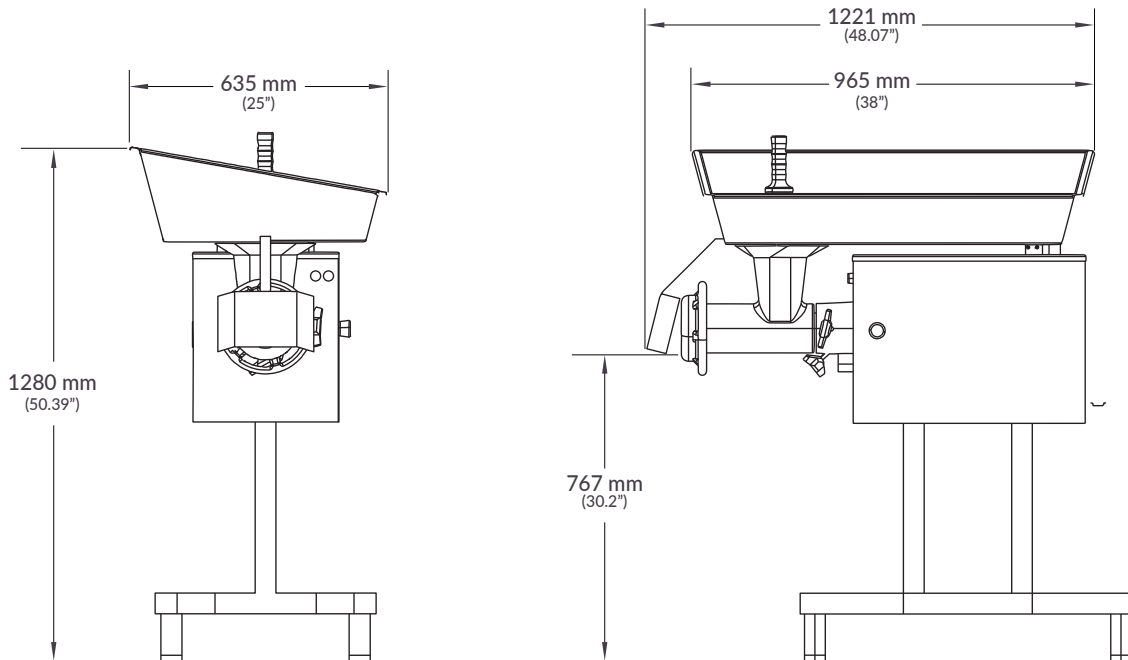


Fig.7 Dimensiones generales del equipo

C. DIAGRAMA ELÉCTRICO

El diagrama eléctrico para este equipo esta ubicado dentro del gabinete



¡ADVERTENCIA!

Este equipo solo deberá ser abierto por personal calificado. Para cualquier problema o duda relacionada a las especificaciones eléctricas y sus conexiones, por favor llame a su distribuidor autorizado.

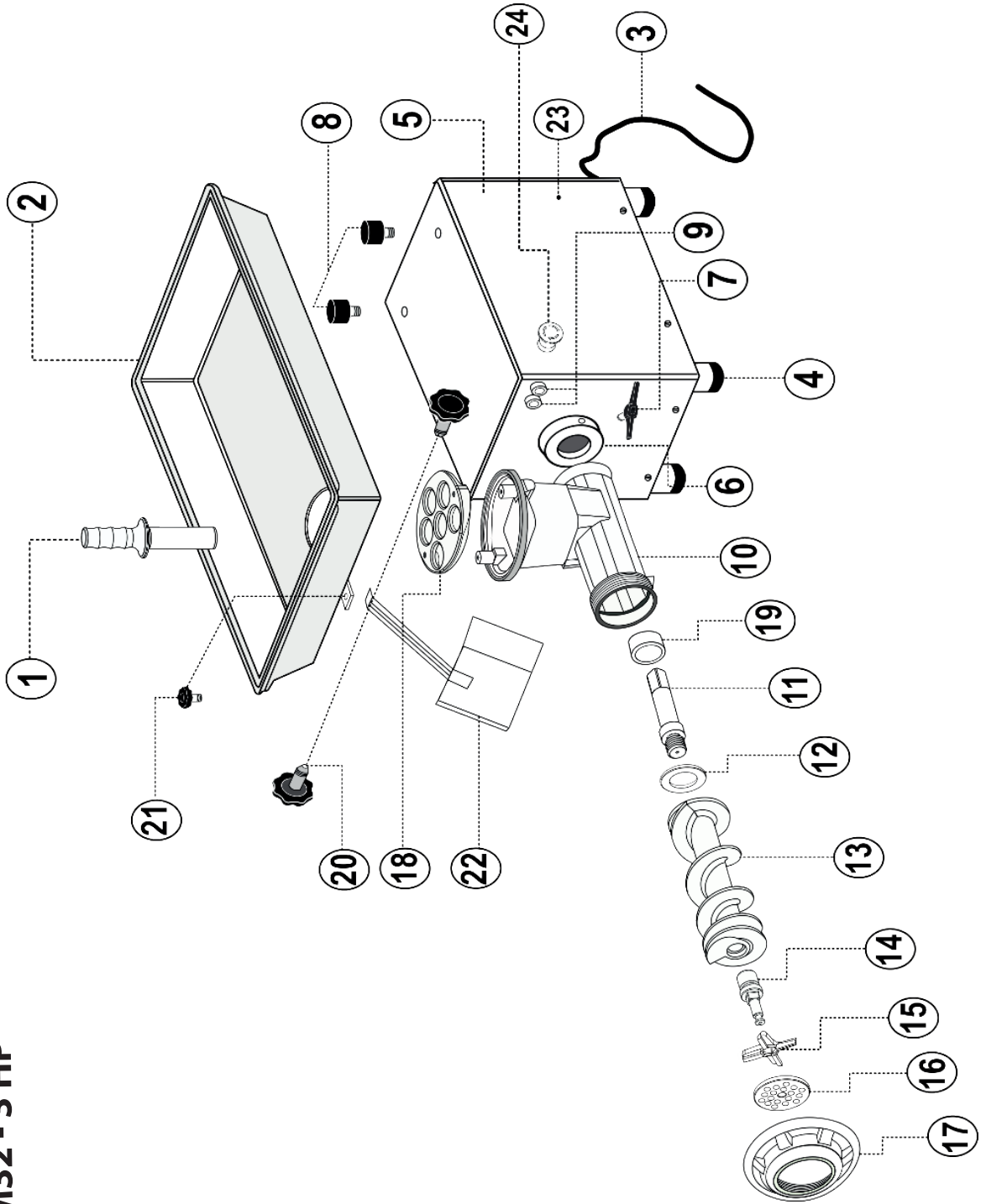
**DIAGRAMA DE COMPONENTES DEL MOLINO PARA CARNE (VER
PAGINAS CENTRALES)**

CÓDIGO	DESCRIPCIÓN	CANT
1	EMPUJADOR	1
2	CHAROLA PARA PRODUCTO	1
3	CABLE TOMACORRIENTE	1
4	PATAS NIVELADORAS DE ALUMINIO	4
5	GABINETE	1
6	TAPA DE TRANSMISIÓN	1
7	PERILLA PARA CABEZAL	2
8	TACONES PARA CHAROLA	1
9	INTERRUPTOR	1
10	CABEZAL	1
11	ESPIGA TRASERA	1
12	ARANDELA DE DESGASTE M32	1
13	GUSANO	1
14	ESPIGA DELANTERA	1
15	NAVAJA	1
16	CEDAZO	1
17	TUERCA PARA CABEZAL	1
18	GUARDA DE SEGURIDAD (PROTECTOR DE CABEZAL)	1
19	ARANDELA DE BRONCE M32	1
20	PERILLAS/MANIJAS DE SUJECIÓN	2
21	PERILLA PARA DESVIADOR	1
22	DESVIADOR	1
23	MOTOR (3HP O 5HP – NO MOSTRADO)	1
24	BOTÓN DE PARO DE EMERGENCIA	1
25	GRASA GRADO ALIMENTICIO (NO MOSTRADO)	1

MEAT GRINDER DIAGRAM FOR COMPONENTS

DIAGRAMA DE COMPONENTES DEL MOLINO PARA CARNE

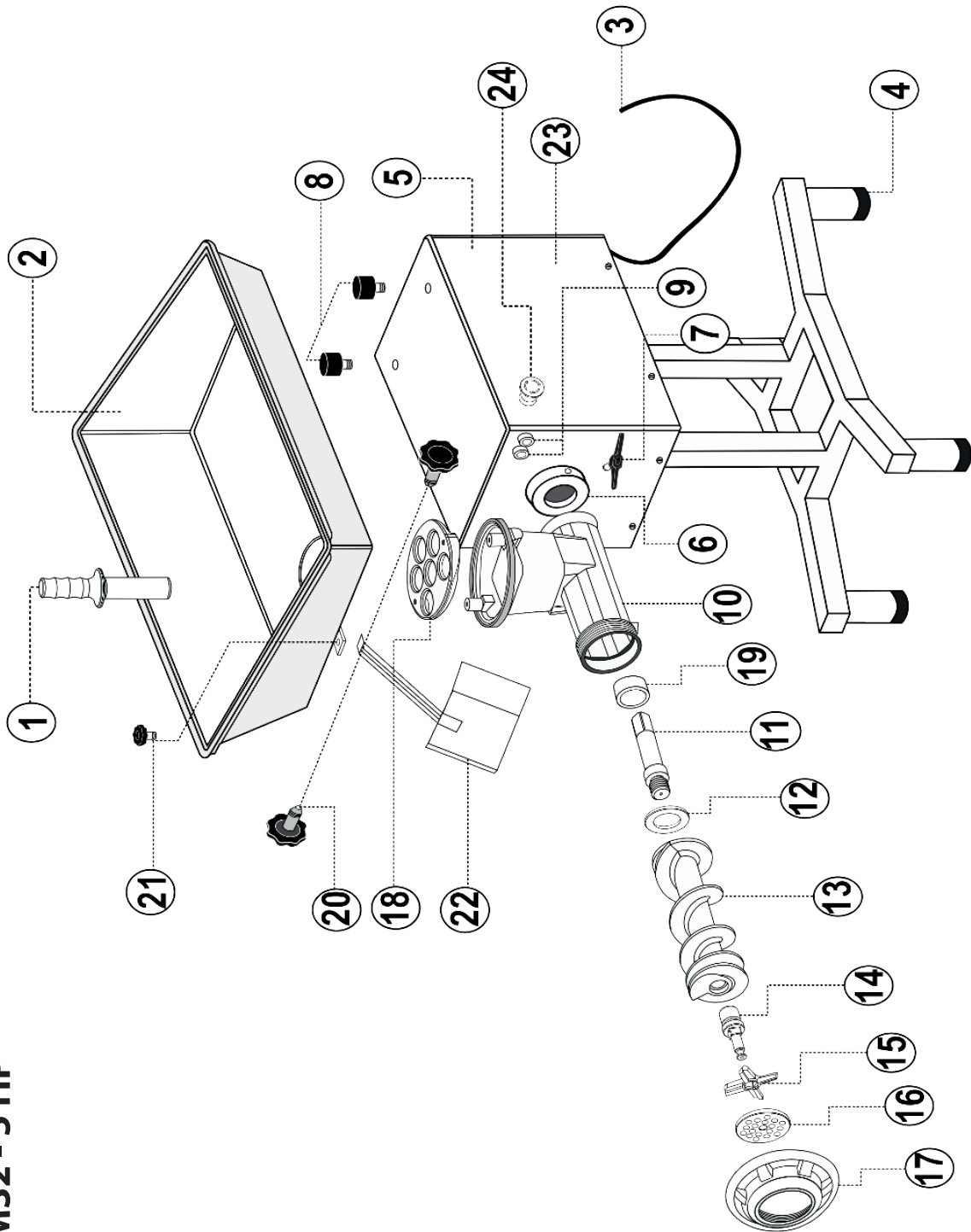
M32 - 3 HP



MEAT GRINDER DIAGRAM FOR COMPONENTS

DIAGRAMA DE COMPONENTES DEL MOLINO PARA CARNE

M32 - 5 HP



THE FIGURES INCLUDED IN THIS MANUAL ARE FOR REFERENCE ONLY. THE ACTUAL MODELS MAY BE DIFFERENT FROM THESE DRAWINGS. SPECIFICATIONS AND DESIGNS ARE SUBJECT TO CHANGE WITHOUT NOTICE.

LAS FIGURAS QUE SE INCLUYEN EN ESTE MANUAL SON SOLO PARA REFERENCIA. LOS MODELOS REALES PUEDEN SER DIFERENTES A ESTOS DIBUJOS. LAS ESPECIFICACIONES Y DISEÑOS PUEDEN CAMBIAR SIN PREVIO AVISO.

THANKS FOR READING THIS MANUAL. IF YOU HAVE ANY DOUBT REGARDING THE OPERATION OF THIS MEAT GRINDER , PLEASE CONTACT TO YOUR AUTHORIZED DEALER.

GRACIAS POR LEER ESTE MANUAL. SI UD. TIENE ALGUNA DUDA SOBRE LA OPERACIÓN DE ESTE MOLINO PARA CARNE, POR FAVOR CONTACTE A SU DISTRIBUIDOR AUTORIZADO.